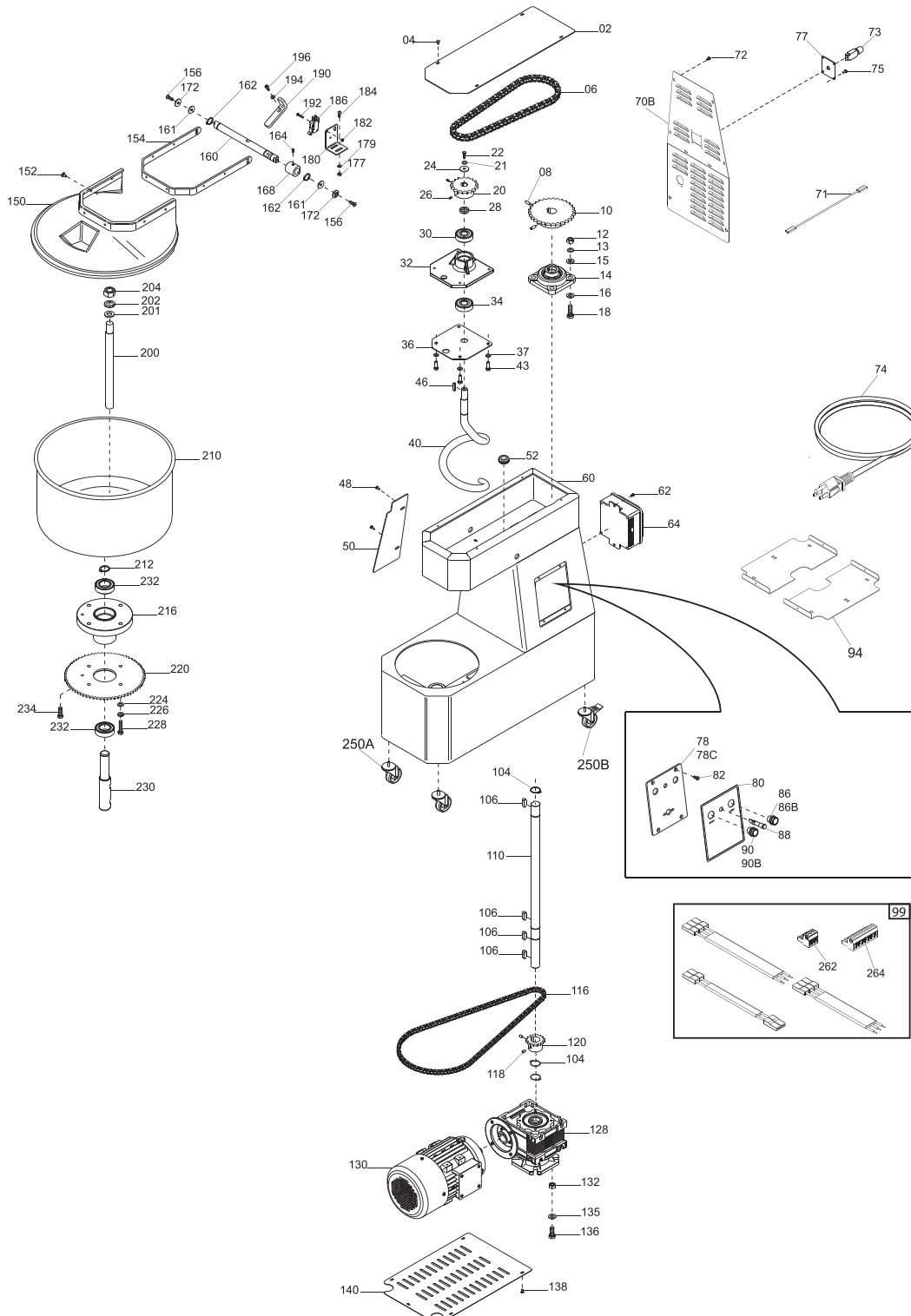


# Parts Breakdown

Model MX-IT-0020-FT 47417



# Parts Breakdown

## Model MX-IT-0020-FT 47417

Item No.	Description	Position	Item No.	Description	Position	Item No.	Description	Position
AG983	Upper Casing ETL HRC 20 Vern. for 47417	02	AH022	Screw TE DIN 933 M8x25 T.F. for 47417	43	AG951	Unified Light UL 24 V for 47417	88
69217	Screw Poeliers M4x8 for 47417	04	AH008	Feathers DIN 6885 / A5x5x25 for 47417	46	AG950	White Push Button N.O. for 47417	90
AG956	Chain Spir. 1/2" x 5/16" HRC 20 for 47417	06	69217	Screw Poeliers M4x8 for 47417	48	AG948	Stainless Steel On Button with Light Y12 Resin UL for 47417	90B
AH031	Screw Din 916 M6x20 NE for 47417	08	AG985	Tank Protection ETL HRC 20 Vern. for 47417	50	AG993	Internal Panel ETL HRC 20 for 47417	94
AG959	Pinion Z30 1/2"x5/16" for 47417	10	AG953	Vibration Damper for 47417	52	AH027	Nut ES. DIN 934 M 10 for 47417	97
AH027	Nut ES. DIN 934 M10 for 47417	12	AG982	Welded Frame ETL HRC 20 Vern. for 47417	60	AG968	Internal Wiring 110/60 ETL HRC for 47417	99
AG958	Flange Support HRC for 47417	14	AH019	Screw TCEI DIN 912 M6x10 for 47417	62	AH007	Retaining Rings DIN 471 D 25E for 47417	104
62645	Flat Washer DIN 125 D10 for 47417	15	62660	Washer F Wide DIN 9021 D6x18 for 47417	63	AH009	Feathers DIN 6885 / A8x7x25 for 47417	106
AH016	Washer F.Larga DIN 9021 D10x30 for 47417	16	AG995	Electrical Box HRC UL 110/60 for 47417	64	AG978	Drive Shaft HRC 20 for 47417	110
AH025	Screw TE DIN 933 M10x35 T.F. for 47417	18	AG984	Rear Carter ETL Y16 HRC 20 Vern. for 47417	70	AG957	Tank Chain 3/8"x7/32" HRC 20 for 47417	116
AG960	Pignon Z17 1/2"x5/16" D16 HRC 20 for 47417	20	AG952	Power Cable UL Thermal Protection for 47417	71	AH030	Grub Screw DIN 916 M6x8 NE for 47417	118
AH003	Grower Washer UNI 1751 D.6 for 47417	21	69217	Screw Poeliers M4x8 for 47417	72	AG961	Pignone Z16 3/8"x7/32" D25 CHI.HRC 2 for 47417	120
AH021	Screw TE DIN 933 M6x22 T.F. for 47417	22	AG967	Thermal Protection T11 211 15A UL HRC 20 for 47417	73	AG964	Rid.NMRV 050 B14 1/30 FA80 F1 HRC20 for 47417	128
AH002	Grower Washer UNI 1751 D 5 for 47417	23	AG966	Power Cable 110/60 ETL HRC 20 PA244S for 47417	74	AG963	Motor MC 80 0,75KW B14 4P UL 115/60 for 47417	130
AH015	Washer F.Larga DIN 9021 D6x24 for 47417	24	AH010	Screw Autof.TC+ DIN 7981 D3x8 for 47417	75	AH027	Nut ES. DIN 934 M10 for 47417	132
AH029	Screw DIN 916 M4x10 NE for 47417	26	AG991	Supp. Plate Prot. Term. MN HRC for 47417	77	62645	Washer DIN 125 D10 for 47417	135
AG974	Spiral Support Distance HRC 20 for 47417	28	AG986	EC Control Plate HRC 20 Y10 for 47417	78	AH024	Screw TE DIN 933 M 10x30 T.F. for 47417	136
AG946	Ball Bearing 6303 2-RD HRC 20 for 47417	30	AG987	CE HRC 20 Stainless Steel Control Plate for 47417	78C	69217	Screw Poeliers M4x8 for 47417	138
AG954	Spiral Cast Iron SUPP Y12 HRC 20 LAV. for 47417	32	AH011	Screw TC+ DIN 7985 M4x8 for 47417	79	AG988	Lower Cover HRC 20 for 47417	140
AG976	Spacer HRC 20 for 47417	33	AG971	Face Plate, Controls Panel for 47417	80	AG994	ETL HRC 20 Thermoformed Protection for 47417	150
AG946	Ball Bearing 6303 2-RD HRC 20 for 47417	34	AH012	Screw TSPEI DIN 7991 M5x8 for 47417	82	69218	Screw Poeliers M5x8 for 47417	152
AG973	Spiral Support Plate Y12 HRC 20 for 47417	36	69217	Screw Poeliers M4x8 for 47417	83	AG992	Cover Profile Prot. HRC 20 for 47417	154
62644	Flat Washer DIN 125 D 8 for 47417	37	AH014	Washer F.Larga DIN 9021 D4x12 for 47417	84	AH013	Flathead CSK Screw DIN 7991 M5x14 for 47417	156
AH004	Grower Washer UNI 1751 D 8 for 47417	38	AG949	Black Push Button N.O. for 47417	86	AG980	Shaft, Tank Protection HRC 20 for 47417	160
AG972	Spiral Y17 HRC 20 for 47417	40	AG947	Stainless Steel Off Button Resin-Coated Y12 UL for 47417	86B	AG996	Plastic Washer 16x25x1 HRC for 47417	161

# Parts Breakdown

## Model MX-IT-0020-FT 47417

Item No.	Description	Position	Item No.	Description	Position	Item No.	Description	Position
AH006	Stop Rings DIN 471 D 15E for 47417	162	AH020	Screw TE DIN 933 M3x16 T.F. for 47417	192	AG962	Crown Z70 3/8"x7/32" LAV.CHI.HRC 20 for 47417	220
AH030	Grub Screw DIN 916 M6x8 NE for 47417	164	AH000	Washer Flat Din 125 D.4 for 47417	194	AH004	Grower Washer UNI 1751 D8 for 47417	226
AG997	Cam HRC TA for 47417	168	AH001	Washer DIN 125 D5 for 47417	194	AH023	Screw TE DIN 933 M8x35 T.F. for 47417	228
AG977	Washer HRC for 47417	172	AH017	Screw TCEI DIN 912 M4x12 for 47417	196	AG981	Shaft, Bowl Support HRC for 47417	230
AH026	Hex.Nut DIN 934 M4 for 47417	177	AH018	Screw TCEI DIN 912 M5x12 for 47417	196	AH032	Screw without Head DIN 916 M8x16 NE for 47417	231
AH000	Washer Flat DIN 125 D.4 for 47417	179	AG979	Rod Breaker HRC 20 for 47417	200	AG945	Bearing 6205 2RS ORS for 47417	232
AG990	Hold Plate for Microswitch HRC for 47417	180	AH005	Grower Washer UNI 1751 D18 for 47417	201	AH022	Screw TE DIN 933 M8x25 T.F. for 47417	234
69215	Nut DIN 934 M3 for 47417	182	AH033	Flat Washer DIN 125 D18 Zinc for 47417	202	AG998	Wheel HRC ETL CMT1-3PBB for 47417	250A
69209	Washer DIN 125 D3 for 47417	183	AH028	Nut ES. DIN 934 M18 for 47417	204	AG999	HRC ETL Wheel C / Brake CMT1-3PPB for 47417	250B
AH017	Screw TCEI DIN 912 M4x12 for 47417	184	AG975	Processing Tank 360x210 HRC 20 for 47417	210	AG969	3-Pole HRC Connector for 47417	262
AG965	Micro Switch with Lever HRC ETL for 47417	186	AH007	Retaining Rings DIN 471 D25E for 47417	212	AG970	8 Poles HRC Connector for 47417	264
AG989	Corner Plate for 47417	190	AG955	Bowl Holder HRC for 47417	216			